



Every day is a great day in Woodplay.™



Every day is a great day in Woodplay.™

The Original Redwood Playset

Welcome to Woodplay® – designed for safety, fun and value. In these pages you'll discover what sets Woodplay apart.

- **Industry-leading safety and durability.**
- **Natural materials, simple styling and colors to complement your home.**
- **Playsets to spark the imagination, build strength and create great childhood memories.**



The best for your child – healthy, active.

Woodplay is an investment in your child's future.

Unlike the latest video game or electronic distraction, a Woodplay playset never gets old. Year after year it builds strength, confidence, and creativity in your child. Built to last, Woodplay pays dividends for life.



Why Woodplay?

Since 1975, Woodplay has grown in popularity as “The Original Redwood Playset Company.” High quality and excellent value make Woodplay the preferred choice of families across the U.S.

- **Funnovation™** Woodplay is known for bold ideas, like our patented *Bay Balconies™* and *Cozy Curves™* that let you create unique contours, roomier decks and new, exciting add-on combinations. Our “funnovative” Step Chain Combo Ladder provides two ways to climb for twice the fun...with added safety for kids who climb at different speeds.
- **Strongest Joints.** Triple-joint construction and more through-bolts ensure a rock-solid feel for superior safety and structural integrity resulting in less maintenance.
- **Bigger Beams.** We mill our own timbers to be bigger and stronger. Woodplay beams measure up to true construction grade dimensions – we never whittle them down.
- **Safest Ladder Rungs.** Non-slip flat steel safety rungs provide more surface area for sure-footed fun and are easy for little hands to grip. Non-skid coating enhances safety when rain or dew are present.
- **Smart Safety Features.** For your family’s well-being, we adhere to proven standards for safety in the design of every playset.
- **Swingier Swings.** Woodplay’s standard swing beams are 4 to 8 inches taller for greater swing travel and more fun.
- **Attractiveness.** With natural, sustainable redwood and aesthetic design, Woodplay compliments residential settings with unrivaled good looks.
- **Adaptability.** Woodplay playsets fit any size yard, while letting you customize and expand as your family grows.
- **Sustainability.** Woodplay uses certified lumber exclusively in support of sustainable forestry practices. Our green culture reflects the values of our customers.
- **Warranty.** Quality materials and uncompromising structural integrity make Woodplay number one in durable performance. We stand behind every playset with our Limited Lifetime “No Kidding” Guarantee.
- **Industry Leadership.** As a board member with the American Society of Testing and Materials, Woodplay brings leadership to the playset industry that benefits all consumers.



Strongest Joints



Bigger Beams



Safest Ladder Rungs



Swingier Swings



Woodplay is proud to serve on the board of ASTM International, a leading standards organization whose guidelines for product materials and testing are recognized globally as an assurance of quality and safety.

Contents

- It Begins With California Redwood 2
- Woodplay® Funnovations™ ... 4
- Triple Joint 5
- Getting Started..... 6
Easy as 1-2-3!

The Playsets 8

- Outback 5' 10
- Outback 6' 14
- Outback 7' 18
- Outback XL 5' 22
- Outback XL 6' 26
- Outback XL 7' 32

- Playhouse 5' 40
- Playhouse 6' 44
- Playhouse Double Decker 48
- Playhouse XL 5' 50
- Playhouse XL 6' 54
- Playhouse XL 7' 62

- Mega Sets 64
- Big Fun for Smaller Yards 74

Options

- Choose Your Options 76
- “No Kidding” Guarantee 80
- Recommended Care 81

Get in touch with the Woodplay difference.



Visit your Woodplay showroom today.
1-800-WOODPLAY or www.woodplay.com

It Begins With California Redwood.

We use more California Redwood in each playset than any other playset company.

U.S. grown California redwood is the natural, responsible, and the number one choice for Woodplay—we share your commitment to the environment.

Our wood comes from sustainable, managed forests. In fact, our redwood partner received a conservation award from the U.S. Fish and Wildlife Service.

Here's more good news: California redwood makes our playsets the most naturally strong, safe and durable products on the market!



Did you know?

California Redwood resists insects, disease and decay.

And redwood is naturally stable—our playsets resist splitting.

Woodplay is Like California Redwood: Strong and Safe.

From the redwood forest to your backyard, Woodplay makes environmentally sound choices a priority.

- Redwood has dimensional stability. According to the Forest Products Laboratory of the U.S. Department of Agriculture, redwood has less volumetric and tangential shrinkage. This means redwood stays flat and straight with minimal warping, cupping (the edges of the woods are high and its center is low) or checking (cracking).
- Redwood resists disease and decay. Redwood contains tannin, which is harmless to humans and animals yet toxic to fungi. Fungal disease causes decay in other woods.
- Redwood is naturally immune to insects.
- Redwood's strength and durability make our playset structures safe

for heavy-duty use and kids of all sizes—including Dad.

- The U.S. Consumer Product Safety Commission (CPSC) recommends natural wood, like redwood, for outdoor playsets.
- Our water-based wood stains are low in VOCs (volatile organic compounds) and safe for children, pets, and the air we breathe.
- To reduce CO₂ and other emissions into the air we share, we work, whenever possible, with transit providers who participate in the U.S. EPA SmartWaySM Transport Partnership.
- Our redwood requires no dangerous chemical preservatives—unlike wood species that are pressure treated to artificially extend product life because redwood is naturally resistant to decay.

Why Our California Redwood Tops Other Trees.

- Our California Redwood is grown in sustainable, managed forests.
- California's forestry laws for sustainability and resource conservation are the most stringent in the world.
- Woodplay's redwood resource complies with the Sustainable Forestry Initiative (SFI). SFI Forest Certification requires sites to be replanted with native species and actively conserve resources, including water, air, soil and wildlife habitats. For every redwood tree harvested, five are required to be planted. For more information about SFI, visit: www.sfiprogram.org
- Our redwood partner received a conservation award from the U.S. Fish and Wildlife Service.
- Redwood trees get their reddish-brown bark and heartwood from high levels of harmless tannin.
- Redwood tannin and other natural chemicals help protect the wood from fungal disease, insects, and deterioration — even after harvesting and milling.



Did you know?

Redwood is one of the fastest-growing timber species on earth. And nearly 400,000 acres of redwood forests are preserved in public parks and reserves.

- The tallest, old-growth California redwood trees are protected by federal law and are not harvested.
- Redwood is one of the fastest-growing timber species on earth.
- Redwood forests of new, young trees are expanding at an impressive rate.
- According to the California Redwood Association, close to 400,000 acres of redwood forests are preserved in public parks and reserves.

Woodplay chooses California Redwood for all of the excellent reasons listed here, as well as for its ability to retain its beauty and luster.

For more information about Woodplay's sustainability practices, visit: www.woodplay.com/sustainability

All Playsets Come With...



Adjustable A-Frame allows level placement in your yard, despite uneven or irregular ground.



Notched Angle Braces with their wood-on-wood design reduce the load on hardware and add structural support. This original Woodplay feature is now an industry standard.



Heavy-Duty Galvanized Hardware is commercial grade for amazing strength and longevity.

Backed by Our Exclusive "No Kidding" Guarantee.

We're so confident of our quality that our products come with the best playset warranty anywhere—our Limited Lifetime "No Kidding" Guarantee. See page 82 of this catalog for a full description of the valuable protection and peace of mind that comes with your Woodplay playset.



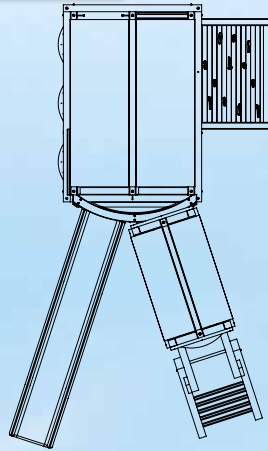
Woodplay® "Funnovations™"

The innovative design leader since 1975.

Playset fun begins at Woodplay®. Yet, Woodplay's Certified Playground Safety Inspectors make sure our products are designed with the well-being of your child in mind. Safety, quality – and fun – are built into every one of our playsets. We call it "funnovation," and it's what makes Woodplay the innovative playset design leader.



Aerial View



Curves.

Patented **Cozy Curves™** and **Bay Balconies™** let you create unique contours, roomier decks and new, exciting add-on combinations. From Woodplay – the design leader!



Retractable Telescope



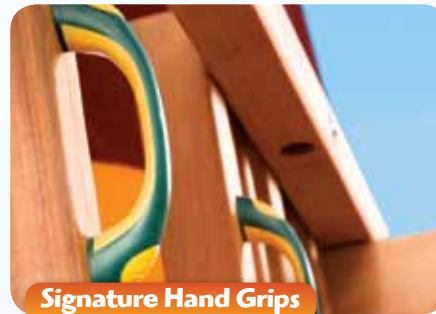
Spotlight



Racing Wheel



Triple Shot Game



Signature Hand Grips



Megaphone



Skybox XL

Bigger, better
Skybox XL!
One-third more deck space!

Triple Joint

Extra strength where you need it most...

Woodplay® playsets are engineered to be the most solid playset structures on the market today.

An attached swing beam makes playset structures unique – a characteristic which requires the fort portion of the playset to be constructed as solidly as possible. This important measure ensures the entire playset remains tight and safe for years of worry free enjoyment for your children.

The swinging motion applies constant pressure to the fort structure. Without reinforcement, the hardware may loosen and weaken the overall playset. For this reason, Woodplay utilizes our exclusive **Triple Joint Construction**.

As seen in the diagram, Woodplay uses only large dimension lumber for corner posts and horizontal joists to join walls.

We take the process even further by overlapping these large timbers at the joints to secure 3 pieces of lumber together with 3



pieces of hardware — this extra step creates the strongest joints in the industry.

Your child deserves the safest playset available and our Triple Joint Construction is just one of the many protective features Woodplay provides to secure your child's fun and safety for many years to come.

We encourage you to compare our Triple Joint Construction when shopping other playset brands. We are confident you won't find a better engineered structure anywhere.



Strongest joints in the industry:
3 large timbers overlapped & secured with 3 pieces of hardware.



It's easy as 1,2,3!

visit woodplay.com for a checklist to help choose the best fit for your family

1

Choose a Base Style & Roof.

Playhouse
series



The Playhouse Series' traditional post-and-beam construction accommodates popular accessories beneath the base, including a built-in sandbox or a full-size convertible picnic table which doubles as a sandbox cover.

or

Outback
series



The Outback Series' wide-angle ladders create roomier play spaces beneath the playset for more active play. Add a tire swing for instance and add flexibility for ladders and other climbing options.



Green



Green & Yellow



Blue



Blue & Yellow



Red



Red & Yellow

+



Wood

2

Choose Size & Combination.

Choose from **3 different deck heights – 5', 6', 7',** and **2 different deck sizes – Regular and XL.**
Then, choose one of these popular combinations – or create your own. If you can imagine it, we can build it!



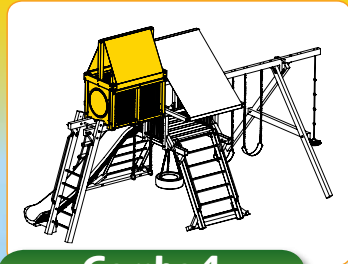
Combo 1
Base Playset with Slide



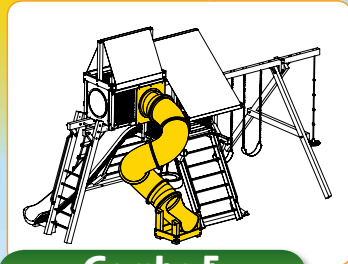
Combo 2
Add a Swingbeam



Combo 3
Add a Monkey Climber



Combo 4
Add a Skybox



Combo 5
Add a Hurricane Slide

3

Make It Your Own...Choose Your Options.

Add the features you want and create the ideal playset for your family.



Slides (p.77)



Swings (p.77)



Add-Ons (p.78)



Accessories (p.76)



woodplay
playsets

Outback & Outback XL series

Outback™ angled ladders are a Woodplay® original – and now an industry standard. The Outback creates the most room “down under” the deck – enough room for a rotational tire swing – and gives wide access to the deck, perfect for a rock wall or chain ladder.

Now, we’ve made the Outback even more flexible. Choose from 6 different sizes (3 deck heights and 2 deck sizes). Plus, select the options that make it just right for your family. Outback is the perfect choice for wide open fun.

roof options

Available with natural wood or color vinyl roof.



Deck Height: 5'

Deck Size
5'x5'



Outback™ 5'
series

Deck Height:	Slide Length:	Swing Beam Height:
5'	10'	8'

The fun doesn't stop here...see pgs. 10-13 to choose the Combo that's right for you.

XL means a BIGGER deck for BIGGER FUN!

Deck Size
5'x7'



Outback™ XL 5'
series

XL Deck Height:	Slide Length:	Swing Beam Height:
5'	10'	8'

The fun doesn't stop here...see pgs. 22-25 to choose the Combo that's right for you.

Deck Height: 6'

Deck Size
5'x5'



6'

Outback™ 6'
series

Deck Height:	Slide Length:	Swing Beam Height:
6'	12'	9'

The fun doesn't stop here...see pgs. 14-17 to choose the Combo that's right for you.

Deck Height: 7'

Deck Size
5'x5'



7'

Outback™ 7'
series

Deck Height:	Slide Length:	Swing Beam Height:
7'	14'	10'

The fun doesn't stop here...see pgs. 18-21 to choose the Combo that's right for you.

XL means a **BIGGER** deck for **BIGGER FUN!**

Deck Size
5'x7'



6'

Outback™ XL 6'
series

XL Deck Height:	Slide Length:	Swing Beam Height:
6'	12'	9'

The fun doesn't stop here...see pgs. 26-29 to choose the Combo that's right for you.

XL means a **BIGGER** deck for **BIGGER FUN!**

Deck Size
5'x7'



7'

Outback™ XL 7'
series

XL Deck Height:	Slide Length:	Swing Beam Height:
7'	14'	10'

The fun doesn't stop here...see pgs. 32-35 to choose the Combo that's right for you.



Deck
Height:
5'

Slide
Length:
10'

Swing Beam
Height:
8'

Outback™ **5'** series

Outdoor fun begins here. Enjoy the thrill of a **10' Wave Slide**...develop an acrobat's strength on the **Trapeze**... or fly with friends on a **Tire Swing**. The Outback™ 5' offers every option for high-energy play.



Combo 1

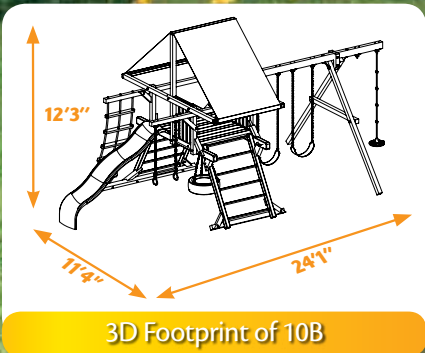
L12'10" W11'4" H12'3"
Deck Size 5' x 5'



Combo 2

L24'1" W11'4" H12'3"
Deck Size 5' x 5'

VISIT
WOODPLAY.COM
FOR MORE DETAILS



11 C

Combo 2
L24' 1" W11' 4" H12' 3"
Deck Size 5' x 5'



Outback™ series 5'

continued



12 D

Combo 3

L 25' 10" W 11' 4" H 12' 3"
Deck Size 5' x 5'



12



12 E

Combo 4

L 25' 10" W 11' 4" H 14' 2"
Deck Size 5' x 5' Skybox 3' x 5'



13 F

Combo 5
L25' 10" W13' 8" H14' 2"
Deck Size 5' x 5' Skybox 3' x 5'

1-800-WOODPLAY www.woodplay.com



Deck Height: 6'

Slide Length: 12'

Swing Beam Height: 9'

Outback™ series 6'

Perfect for all your friends. Race down the **12' Super Slide**...scramble up the **Rope Rung Ladder**...or "go ape" on the **Monkey Climber**. The Outback™ 6' lets kids play the way they want, as much as they want.



14 A

Combo 1

L 14' 9" W 12' 10" H 13' 3"
Deck Size 5' x 5'



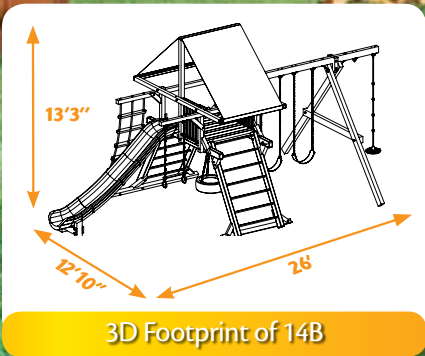
14



14 B

Combo 2

L 26' W 12' 10" H 13' 3"
Deck Size 5' x 5'



15 **c**

Combo 2
L 26' W 12' 10" H 13' 3"
Deck Size 5' x 5'



Outback™ series 6'

continued



16 D

Combo 3

L 26' W 12' 10" H 13' 3"
Deck Size 5' x 5'



16 E

Combo 4

L 26' W 12' 10" H 15' 2"
Deck Size 5' x 5' Skybox 3' x 5'



VISIT
WOODPLAY.COM
FOR MORE DETAILS

woodplay
playsets



17 F

Combo 5
L26' W15'2" H15'2"
Deck Size 5'x5' Skybox 3'x5'



Deck Height:
7'

Slide Length:
14'

Swing Beam Height:
10'

Outback™ **7'** series

Up in the sky for kids of all sizes. Speed down a **14' Super Slide**, fly with Woodplay's swingiest **Swings** or spy high from a **Skybox** with our new **Extended Bubble Panel**. The Outback™ 7' is one of our tallest adventures.



18 **A**

Combo 1

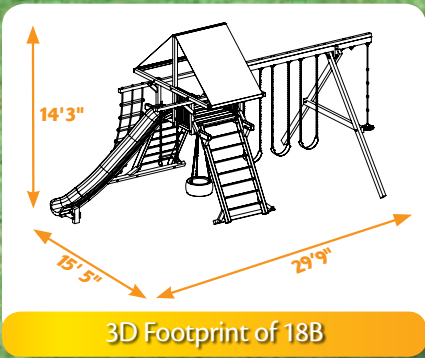
L 16' 1" W 14' H 14' 3"
Deck Size 5' x 5'



18 **B**

Combo 2

L 29' 9" W 15' 5" H 14' 3"
Deck Size 5' x 5'



19 **C**

Combo 3
L29'9" W15'5" H14'3"
Deck Size 5' x 5'

1-800-WOODPLAY www.woodplay.com



Outback™
series

7'

continued



20 D

Combo 4

L29'9" W15'5" H14'3"
Deck Size 5'x5' Skybox 3'x5'

Go Natural.

Enhance any of our Playsets!

Every Woodplay® Playset is designed to fit beautifully in your neighborhood – whether it has a splash of color on the roof or natural wood from top to bottom. You can enhance any of our playsets with the beauty of a natural wood roof. Ask your Woodplay showroom for details.



VISIT
WOODPLAY.COM
FOR MORE DETAILS



21 E

Combo 5
L29'9" W17'5" H14'3"
Deck Size 5'x5' Skybox 3'x5'



XL Deck
Height:
5'

Slide
Length:
10'

Swing Beam
Height:
8'

Outback™
series

XL5'

Stretch your imagination and your deck space. The Outback™ XL 5' is a perfect fit for the **10' Wave Slide**, the **10' Super Slide** or the **11' Alpine Slide** (made for sliding and climbing). And a larger deck space gives you even more room to invite all your friends. Add a rock wall and you have a great set-up for building strength and stretching the imagination every day.



22 **A**

Combo 1

L13' 3" W13' 8" H12' 3"
Deck Size 5' x 7'

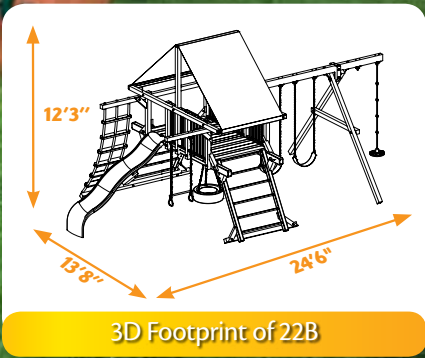


22 **B**

Combo 2

L24' 6" W13' 8" H12' 3"
Deck Size 5' x 7'

XL means a **BIGGER** deck!
for **BIGGER FUN!**



23 C

Combo 3
with 4-Pos. Swing Beam
L 26' 11" W 13' 8" H 12' 3"
Deck Size 5' x 7'

1-800-WOODPLAY www.woodplay.com



Outback™ series XL5'



24 D

Combo 4
with 4-Pos. Swing Beam
L 26'11" W 13'8" H 14'2"
Deck Size 5' x 7' Skybox 3' x 5'





woodplay
playsets

VISIT
WOODPLAY.COM
FOR MORE DETAILS



25 E

Combo 5
with 4-Pos. Swing Beam

L26' 11" W16' 2" H14' 2"
Deck Size 5' x 7' Skybox 3' x 5'



XL Deck
Height:
6'

Slide
Length:
12'

Swing Beam
Height:
9'

Outback™
series

XL6'

Master new heights.

Zoom down the **12' Super Slide**...

master the challenge of a **Climbing**

Rope...or scout the horizon through your

adjustable **Telescope**. The Outback™ XL 6'

brings an ideal outlet for boundless exercise

and creativity.



Combo 1

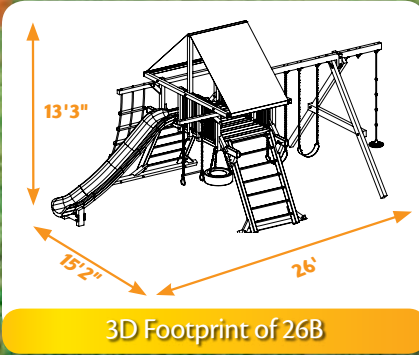
L14' 9" W15' 2" H13' 3"
Deck Size 5' x 7'



Combo 2

L26' W15' 2" H13' 3"
Deck Size 5' x 7'

XL means a **BIGGER** deck!
for **BIGGER FUN!**



27 **C**

Combo 2
L 26' W 15'2" H 13'3"
Deck Size 5' x 7'

1-800-WOODPLAY www.woodplay.com



Outback™ series XL6'



28 D

Combo 3
L 26' W 15'2" H 13'3"
Deck Size 5' x 7'



28 E

Combo 4
L 26' W 15'2" H 15'2"
Deck Size 5' x 7' Skybox 3' x 5'



VISIT
WOODPLAY.COM
FOR MORE DETAILS



29 F

Combo 5
L 26' W 17' 11" H 15' 2"
Deck Size 5' x 7' Skybox 3' x 5'



BIGGER BETTER

Skybox XL



Decide Your Look!
Shown here with classic panels.



Cozy Curves™
Shown here with curve panel upgrade.



woodplay
playsets

Round and Smooth!

Shown here with our most popular universal panel.

6' Outback XL

Shown with Skybox XL and a 3-Position Swing Beam.

31 **G**

Combo 4
with 3-Pos. Swing Beam

L27' 8" W15' 2" H15' 2"
Deck Size 5' x 7'

1-800-WOODPLAY www.woodplay.com



XL Deck
Height:
7'

Slide
Length:
14'

Swing Beam
Height:
10'

Outback™
series

XL7'

The tallest, biggest entry in the Outback™ line. Speed down a **14' Super Slide** or zip through the **Hurricane Slide**...fly high on our loftiest **Swings**...or test your agility on a **Step Chain Combo Ladder**. Whatever the case, the Outback XL 7' provides large-scale fun that is far from ordinary.



32 A

Combo 1

L16' 1" W17' 2" H14' 3"
Deck Size 5' x 7'



32 B

Combo 2
with 4-Pos. Swing Beam

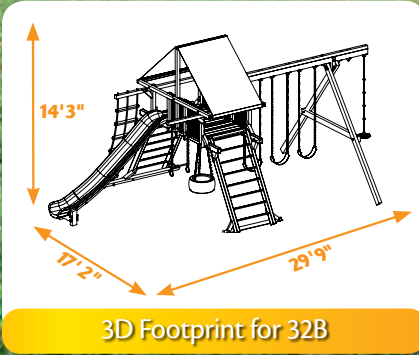
L29' 9" W17' 2" H14' 3"
Deck Size 5' x 7'





VISIT
WOODPLAY.COM
FOR MORE DETAILS

XL means a **BIGGER** deck!
for **BIGGER FUN!**



33 **C**

Combo 3
with 4-Pos. Swing Beam
L29'9" W17'2" H14'3"
Deck Size 5' x 7'



Outback™
series

XL7'

continued



34 D

Combo 4
with 4-Pos. Swing Beam

L 29' 9" W 17' 2" H 14' 3"
Deck Size 5' x 7' Skybox 3' x 5'





35 E

Combo 5
with 4-Pos. Swing Beam

L29' 9" W19' 6" H14' 3"
Deck Size 5' x 7' Skybox 3' x 5'



6ⁱⁿ1



Picnic Table

A different adventure every day!

6-in-1 creates unlimited ways to have fun! The table kids will love for picnics, snack time, birthday parties, games, writing, coloring or drawing, easily converts into a lemonade stand, pizza counter, ticket booth or passport checkpoint to exotic places. The 6-in-1 also includes a sandbox feature kids can dig into, with or without the seats. Put the cover on the sandbox and it becomes a playtime platform that transforms into a stage, dance floor, chic boutique, art studio, fire station, workshop or anything else your kids dream up!



Fort



Sandbox



Lemonade Stand



Sandbox Seats



Picnic Table



Stage



Sandbox Cover



Playhouse & Playhouse XL series

A cozy feel and a compact footprint. These family favorites offer years of playtime and creative flexibility. The square base is perfect for a sandbox or picnic table. You can even add a Sun Room or a Bonus Room (Page 59). Add a rock wall for a challenging entrance to your Playhouse. Your backyard is sure to become everyone's favorite gathering place.



roof options

Available with natural wood or color vinyl roof.



Deck Height: 5'

Deck Size
5'x5'



Playhouse series **5'**

Deck Height:	Slide Length:	Swing Beam Height:
5'	10'	8'

The fun doesn't stop here...see pgs. 40 - 43 to choose the Combo that's right for you.

XL means a **BIGGER** deck for **BIGGER FUN!**

Deck Size
5'x7'



Playhouse series **XL 5'**

XL Deck Height:	Slide Length:	Swing Beam Height:
5'	10'	8'

The fun doesn't stop here...see pgs. 50 - 53 to choose the Combo that's right for you.

Deck Height: 6'

Deck Size
5'x5'



6'

Playhouse
series **6'**

Deck Height:	Slide Length:	Swing Beam Height:
6'	12'	9'

The fun doesn't stop here...see pgs. 44- 47 to choose the Combo that's right for you.

Deck Height: 7'

Deck Size
5'x10'



7'

Playhouse
Double Decker
series

Deck Height:	Slide Length:	Swing Beam Height:
6' & 7'	14'	10'

The fun doesn't stop here...see pgs. 48 - 49 to choose the Combo that's right for you.

XL means a **BIGGER** deck for **BIGGER FUN!**

Deck Size
5'x7'



6'

Playhouse
series **XL 6'**

XL Deck Height:	Slide Length:	Swing Beam Height:
6'	12'	9'

The fun doesn't stop here...see pgs. 54 - 61 to choose the Combo that's right for you.

XL means a **BIGGER** deck for **BIGGER FUN!**

Deck Size
5'x7'



7'

Playhouse
series **XL 7'**

XL Deck Height:	Slide Length:	Swing Beam Height:
7'	14'	10'

The fun doesn't stop here...see pgs. 62 - 63 to choose the Combo that's right for you.



Deck Height: **5'**

Slide Length: **10'**

Swing Beam Height: **8'**

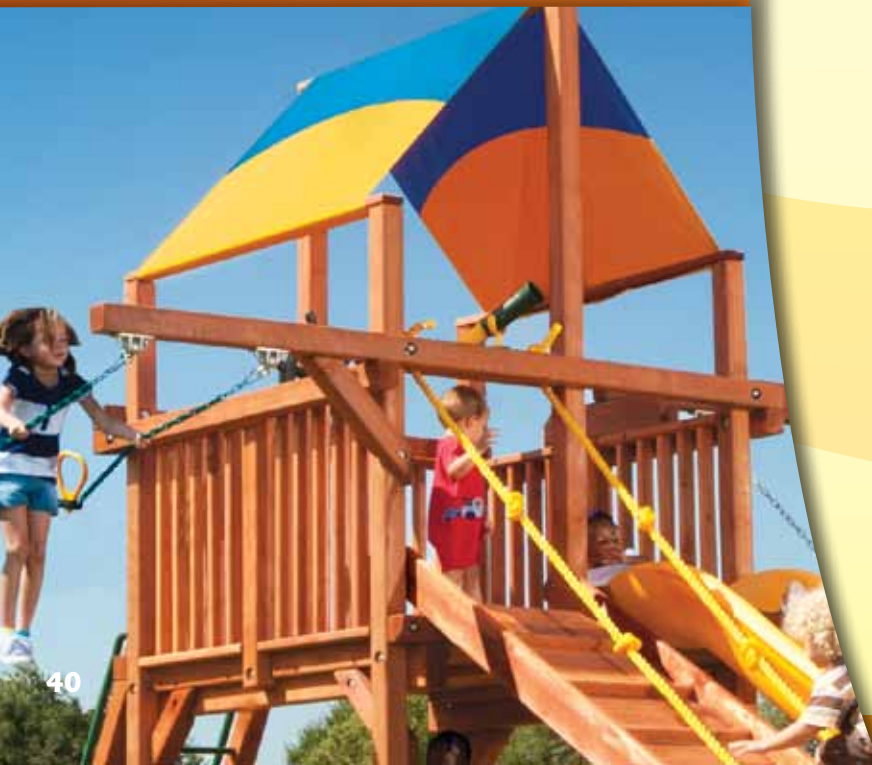
Playhouse series **5'**

Smiles never cease with the Playhouse 5'. Shoot the Matterhorn on a **10' Wave Slide**, **10' Super Slide** or an **11' Alpine Slide**. Perform like a circus star on the Trapeze...excavate a lost city in the Sandbox...your child's creative possibilities for fun are endless.



40 **A**

Combo 1
L8' 10" W13' 1" H12' 3"
Deck Size 5' x 5'



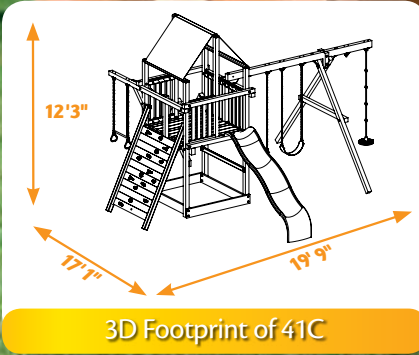
40



40 **B**

Combo 2
L20' 1" W17' 1" H12' 3"
Deck Size 5' x 5'

VISIT
WOODPLAY.COM
FOR MORE DETAILS



41 **C**

Combo 2
L 19'9" W 17'1" H 12'3"
Deck Size 5' x 5'



Playhouse
series

5'

continued



42 D

Combo 2
with Ramp

L19'9" W17'1" H12'3"
Deck Size 5' x 5'



42 E

Combo 3

L19'9" W17'8" H12'3"
Deck Size 5' x 5'



woodplay
playsets

VISIT
WOODPLAY.COM
FOR MORE DETAILS



43 F

Combo 4

L 19' 9" W 17' 8" H 14' 5"
Deck Size 5' x 5' Skybox 3' x 5'



Deck Height: 6'

Slide Length: 12'

Swing Beam Height: 9'

Playhouse series 6'

Full speed ahead into fun! Fly like the wind down the **12' Super Wave Slide**...scale the Grand Canyon with the **Rock Wall and Knotted Rope**...or chill out in your top-secret hideout with **Enclosed Panels**. The Playhouse 6' brings a wonderful mix for creativity and exercise.



44 A

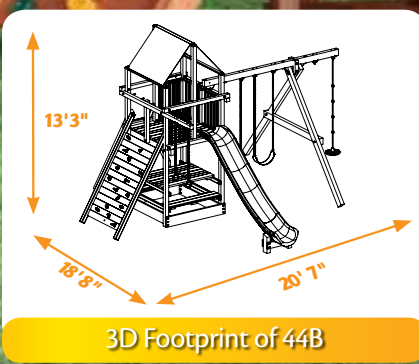
Combo 1
L9'4" W18'8" H13'3"
Deck Size 5' x 5'



44 B

Combo 2
L20'7" W18'8" H13'3"
Deck Size 5' x 5'





45^c

Combo 3
L20'7" W18'9" H13'3"
Deck Size 5' x 5'



Playhouse series 6'



Other Popular Playhouse Choices



46 D

Combo 4
L20' 7" W18' 9" H15' 5"
Deck Size 5' x 5' Skybox 3' x 5'



Side by Side! Ladder and Slide.
Enclosed on three sides to keep your child safely contained...and open on one side so you can more easily watch and assist little ones.

46 E

Combo 2
L22' 7" W18' 9" H13' 3"
Deck Size 5' x 5'



Another Awesome Possibility!
Create a cool "tree fort" feel.

46 F

Combo 2 with Enclosed Panels
L22' 7" W18' 9" H13' 3"
Deck Size 5' x 5'



woodplay
playsets

VISIT
WOODPLAY.COM
FOR MORE DETAILS



47 **G**

Combo 5

L21' 11" W18' 9" H15' 5"
Deck Size 5' x 5' Skybox 3' x 5'



Deck Height: **6' & 7'**

Slide Length: **14'**

Swing Beam Height: **10'**

Playhouse Double Decker series

Double the fun! We've combined the 6' and 7' Playhouse to double your deck space. Host the summer's best party on the **Convertible Picnic Table**...zoom down a **14' Super Slide**...or swing like Tarzan on a **Knotted Rope with Disc**. The Double Decker brings more to the party!



48 **A**

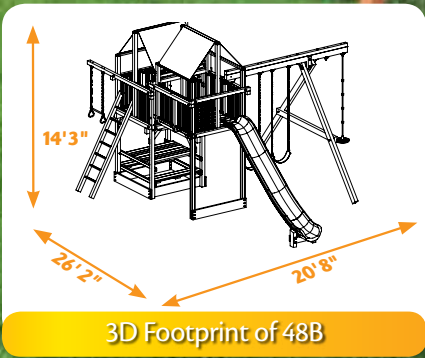
Combo 1
L9'6" W26'2" H14'3"
Deck Size 5' x 10'



48 **B**

Combo 2
L20'8" W26'2" H14'3"
Deck Size 5' x 10'





49 **C**

**Combo 2
with Rock Wall**
L20' 8" W26' 2" H14' 3"
Deck Size 5'x 10'

1-800-WOODPLAY www.woodplay.com



XL Deck
Height:
5'

Slide
Length:
10'

Swing Beam
Height:
8'

Playhouse series

XL5'

Spark the imagination with the Playhouse XL 5'. Breeze down a 10' slide, cross hand-over-hand on a **Monkey Climber**...take command of the playset with the **Retractable Telescope** and **Ship's Wheel**. The Playhouse XL 5' is made for big imaginations.



50 A

Combo 1
L8' 10" W15' 8" H12' 3"
Deck Size 5' x 7'



50 B

Combo 2
L20' W19' 2" H12' 3"
Deck Size 5' x 7'

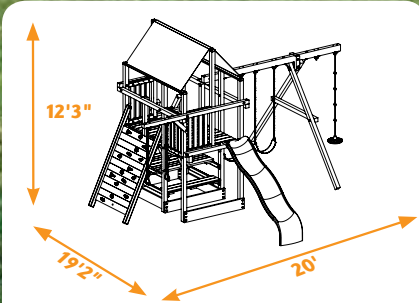




woodplay
playsets

VISIT
WOODPLAY.COM
FOR MORE DETAILS

XL means a **BIGGER** deck!
for **BIGGER FUN!**



3D Footprint of 50B

51 **c**

Combo 2
with Ramp

L24' 11" W15' 8" H12' 3"
Deck Size 5'x7'



Playhouse
series

XL5'

continued



52 D

Combo 3

L20' 6" W20' H12' 3"
Deck Size 5' x 7'



52 E

Combo 4

L20' 6" W20' H14' 5"
Deck Size 5' x 7' Skybox 3' x 5'



53 F

Combo 5
L22'5" W20' H14'5"
Deck Size 5'x7' Skybox 3'x5'

1-800-WOODPLAY www.woodplay.com



Deck Height: 6'

Slide Length: 12'

Swing Beam Height: 9'

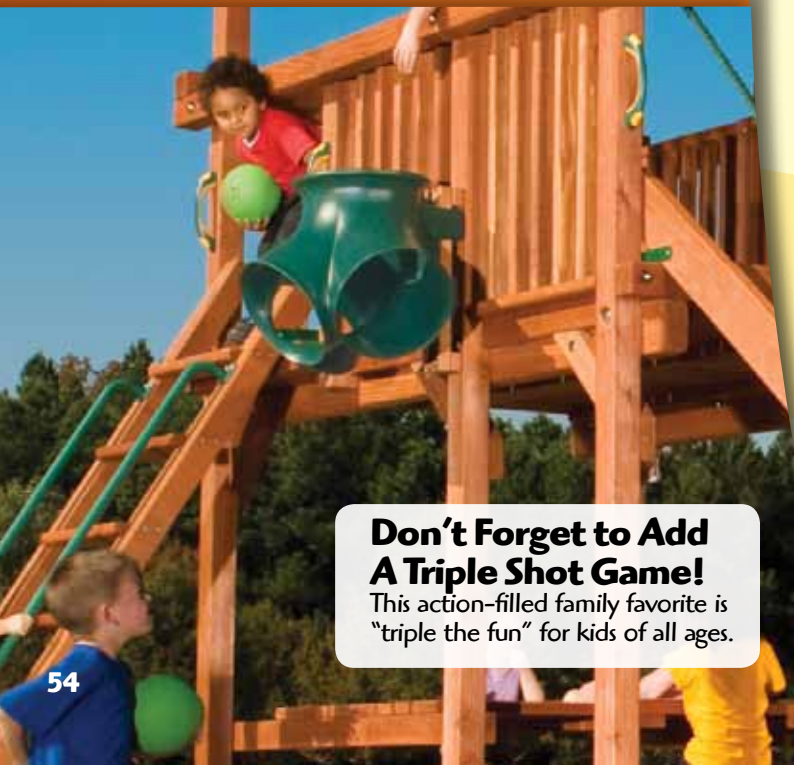
Playhouse series XL6'

Dash into thrills with the Playhouse XL 6'. Slide like an otter on a **12' Super Slide**...Gaze on the earth from your orbiting **Skybox with Bubble**...and race to the summit of Mt. Everest on a **Rock Wall**. There's something for everyone, with no limit to creative possibilities.



54 A

Combo 1
L8'10" W21'7" H13'3"
Deck Size 5'x7'



Don't Forget to Add A Triple Shot Game!

This action-filled family favorite is "triple the fun" for kids of all ages.

54

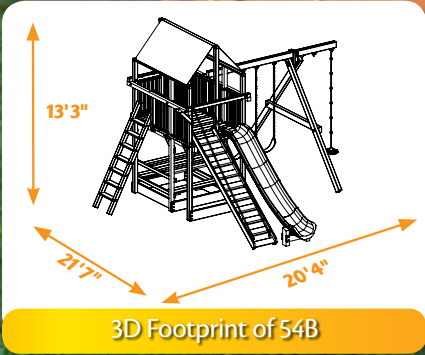


54 B

Combo 2 with Ramp
L20'4" W21'7" H13'3"
Deck Size 5'x7'

XL means a **BIGGER** deck!
for **BIGGER FUN!**

VISIT
WOODPLAY.COM
FOR MORE DETAILS



55 C

Combo 3
with Ramp
L26' 6" W20' 5" H13' 3"
Deck Size 5' x 7'



Playhouse series

XL6'

continued



56 D

Combo 3

L20' W21'7" H13'3"
Deck Size 5' x 7'



56 E

Combo 4

L20' W21'7" H15'5"
Deck Size 5' x 7' Skybox 3' x 5'



57 F

Combo 5

L22' 5" W21' 7" H15' 5"
Deck Size 5' x 7' Skybox 3' x 5'



Playhouse
series

XL6'

continued



Fully Enclosed

Sun Rooms & Bonus Rooms

Add a Sun Room or Bonus Room to any Playhouse...

Add lower panels to create a cozy Sun Room or completely enclose the bottom of your playset to create a Bonus Room. Take it a step further and enclose the top and bottom to create a completely unique Playhouse.

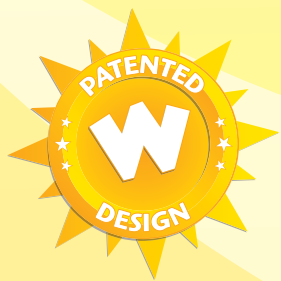


Sun Room



Bonus Room

Cozy Curves & Bay Balconies



There's nothing "wrong" with "right angles"...

but our patented designed Bay Balcony™ and Cozy Curve™ options let you add interesting new angles and contours to create the most unique playset in the neighborhood.



Alternate view of 61 A



Alternate view of 61 A





Curves?

Add a beautiful **Bay Balcony™** to increase deck space – plus create exciting add-on combinations. **Cozy Curves™** enhance any Playhouse – adding a graceful touch to your playset and backyard.

61 ^A

Combo 4

L20' W21' 6" H15' 5"
Deck Size 5' x 7' Skybox 3' x 5'



XL Deck
Height:
7'

Slide
Length:
14'

Swing Beam
Height:
10'

Playhouse series **XL7'**

Our biggest Playhouse opens big windows to excitement. Barrel down a **14' Super Slide**...or take a twisty turn on a tubular **Hurricane Slide**. Choose from multiple types of **Swings** for high-flying fun...and add your favorite **Climbing Walls** for building strength. Exercise has never been more fun!



62 **A**

Combo 1
L16' 1" W11' 6" H14' 3"
Deck Size 5' x 7'



62 **B**

Combo 2
L27' 3" W16' 10" H14' 3"
Deck Size 5' x 7'

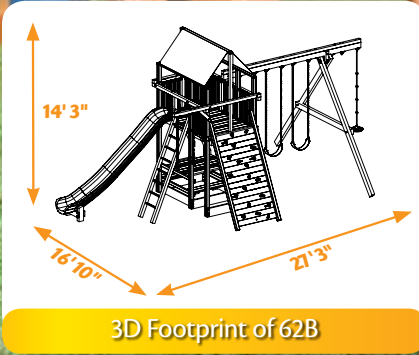




woodplay
playsets

VISIT
WOODPLAY.COM
FOR MORE DETAILS

XL means a **BIGGER** deck!
for **BIGGER FUN!**



63 **C**

Combo 2
with Hurricane Slide
L21' 11" W21' 10" H14' 3"
Deck Size 5' x 7'

Mega Fun Starts Here.

Connecting two playsets has never been easier.

There are two ways to do it. Woodplay's **Burma Bridge™** or **Crawl Tunnel™** can connect any Woodplay base unit to another. The combinations are endless. The results are big fun. That's why we call these **Mega Sets**. Whatever the size of your play needs, Woodplay® offers choices that fit your yard, your family and your budget.

Ask your Woodplay® showroom expert for details.



Burma Bridge™

5' & 10' Burma Bridge

This handsome connector lets you step from one playset to another, with a natural appearance that will complement your backyard.



Mega sets



Crawl Tunnel™

5' & 10' Crawl Tunnel

The elongated profile is kid-friendly for crawling. Spy holes enhance comfort in warmer weather and provide visibility for added safety.



See the following pages for just a few (of the many) Mega Set possibilities.



Mega sets

We call them Mega Sets, because they're **as big as your imagination**. Here are a just few possibilities – **all built for big fun**. Most important, you can create your own design. Connect any number of Woodplay® sets to create your own Mega Set...**the combinations are endless!**

Custom Playhouse double decker connected to Playhouse XL 6'



L25' 10" W21' 5" H15'



L34' 7" W26' 9" H14' 11"

Completely custom Playhouse 7', Outback combo



Double Outback 7' with racing slides



67 **c**

L39' 4" W21' 3" H14' 3"



Mega
sets

continued



68 D

L32' 9" W21' H14' 10"

Outback 6' with spider slide configuration

Playhouse double decker, Playhouse XL 7' combo with multiple slides



69 E

L37' 9" W31' 3" H14' 4"



Mega sets

continued

Outback 6', Playhouse 6' combo loaded



70 F

L36' 1" W19' 3" H13' 3"



70 G

L34' 4" W19' 5" H13' 3"

Double Playhouse 6' connected with 10 ft. tunnel and 10 ft. bridge

Outback 6', Playhouse 6' combo



71^H

**OUR MOST POPULAR
MEGA SET!**

L44' 1" W16' 7" H14' 3"



Mega sets

continued

Playhouse XL 6' with Skybox and high deck



72
I

L20' 10" W28' 8" H15' 1"

Playhouse double decker with low deck add-on



72
J

L21' 7" W26' 4" H14' 3"



72
K

L15' W18' 7" H14' 3"

Loaded Playhouse XL 6', fully enclosed



1-800-WOODPLAY www.woodplay.com



Big Fun for smaller yards

Space Saver Series

Whatever the size of your play needs, Woodplay® offers choices to fit your yard, your family and your budget. Here are some of the **most popular configurations** – but we can build one **just right for you!**



74 A

Outback 5' With Double Swing Arm

L 16' 5" W 11' 4" H 12' 3"



74 B

Outback 5' With Single Swing Arm

L 17' 9" W 11' 4" H 12' 3"



74 C

Outback 6' With 90 Degree Tube Slide

L 12' W 15' 4" H 13' 3"



75 **D**

Outback 6' With Single Swing Arm

L 17' 9" W 13' 10" H 15' 2"



75 **E**

Playhouse XL 6' With Double Swing Arm

L 12' 9" W 17' 8" H 13' 3"



75 **F**

Playhouse 5' With Double Swing Arm

L 12' 9" W 17' 8" H 12' 3"



75 **G**

Playhouse XL 6' With Single Swing Arm

L 12' 2" W 13' 6" H 13' 3"



75 **H**

Playhouse XL 5' With Double Swing Arm

L 12' 9" W 15' 8" H 12' 3"



75 **I**

Playhouse XL 7' With Double Swing Arm

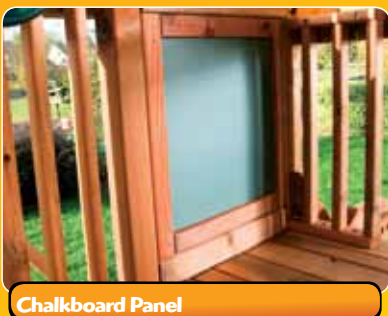
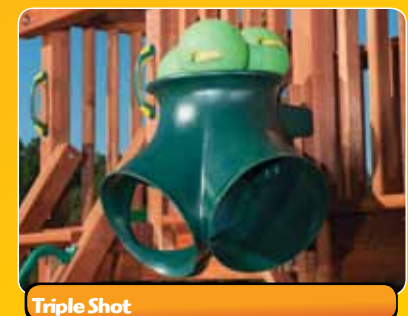
L 20' 1" W 11' 6" H 14' 3"

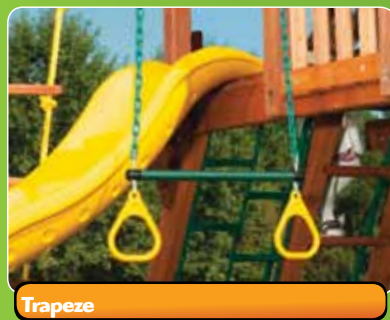
Options

Select the extra-fun additions that make your experience unique.

Woodplay® Options are the extra fun additions that complete your child's playset. Pick just the right slide, swings, climbing features and accessories to make your child's experience unique. Select the roof material and color that fits your preference and neighborhood.

Accessories





Slides & Swings

Options

Select the extra-fun additions that make your experience unique.

continued



Add-Ons



Rock Walls



Ramp



Monkey Climber



Split Rung Ladder



Cargo Chain Ladder



Step Chain Combo Ladder



Available In These Colors:
Rung Ladder



Wooden Step Ladder



Rope Rung Ladder



Fire Pole



Swingbeam Riser Block



Convertible Picnic Table

Handles



Available In These Colors: 
10" Safety Handles



Available In These Colors: 
19" Oversized Handles



Available In These Colors: 
25" Safety Handles



Available In These Colors: 
62" Safety Handles

Add-Ons



Available In These Colors: 
Signature Hand Grips



Available In These Colors: 
Launch Bar



Skybox



Skybox XL



Available In These Colors: 
Extended Bubble Panel



Available In These Colors: 
Double Bubble



Available In These Colors: 
Bubble Panel



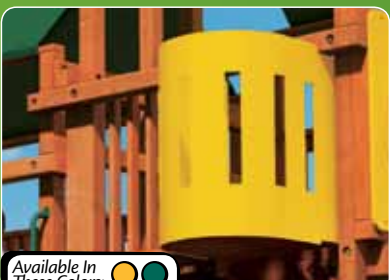
Bay Balcony™



Cozy Curves®



Bay Window Panel



Available In These Colors: 
Crow's Nest



Custom Signs

The Woodplay® “No Kidding” Guarantee



Woodplay is proud to offer you the best warranty in the industry with our Limited Lifetime “No Kidding” Guarantee.

To activate your warranty, go to: www.woodplay.com/warranty and follow the directions.

5-Year Warranty on all Woodplay components and accessories that are not covered under the Limited Lifetime Warranty. Woodplay will repair or replace, at our option, any Woodplay above-ground playset component which fails within five years after the date of delivery as a result of a defect in materials or workmanship. All other qualifications also apply listed under the Limited Lifetime Warranty below.

Limited Lifetime Warranty on all Woodplay wooden playset components, swing hangers, swing chains, metal braces, metal rungs, hardware and our exclusive Super Slide and Alpine Slide. Woodplay warrants to the original retail customer that we will replace any Woodplay wooden playset component suffering structural failure due to warping, rotting or insect damage. This warranty does not cover knots in the wood, surface cracking or seasonal checking of components. Knots, surface cracking and seasonal checks are a natural characteristic of all wood, including redwood, and will not affect the integrity of your playset. Woodplay warrants to the original retail customer that we will replace any swing hangers, swing chains, metal braces, metal rungs or hardware that fail due to rust or breakage (excludes surface rust). This limited lifetime warranty also applies to our exclusive Super Slide and Alpine Slide. This warranty is expressly in lieu of all other warranties, expressed or implied, including warranties of merchantability or fitness for use. Woodplay does not assume, or authorize any person or representative to assume for us, any other liability in connection with the sale of our products. These warranties exclude any incidental or consequential damages which may arise from the purchase or use of our equipment. Some states do not allow the exclusion or limitation of consequential damage, so the above limitation or exclusion may not apply to you. This warranty program applies only to the original owner and is limited to residential and noncommercial use of the products. **Customer must register the playset purchase at www.woodplay.com to be eligible for warranty.** A copy of the original invoice must accompany all warranty claims. Freight and labor charges are not included. This warranty program does not cover normal wear and tear, or damages resulting from misuse, abuse, vandalism, alteration, acts of God, or assembly and maintenance contrary to our instructions. Woodplay reserves the right to examine photographs and/or the component itself—shipped freight prepaid by the customer—prior to potential replacement. Questions about this warranty should be addressed to the **Customer Service Department at 817 Maxwell Ave., Evansville, IN 47711, or call 1-800-WOODPLAY.**

Special Note: Woodplay reserves the right to make changes in materials, design and pricing without notice. See your instruction manual for maintenance requirements. Your child's safety is your responsibility; therefore, you should inspect this equipment regularly for wear and safety.

Cozy Curves™ and Bay Balconies™ are licensed under the following U.S. Patent: 8,002,642


Escalade® Sports 817 Maxwell Ave., Evansville, IN 47711

www.woodplay.com

Phone: 1-800-WOODPLAY • Email: customerservice@escaladesports.com

©2013 Escalade® Sports • Made in USA • All Rights Reserved





Recommended Care

Redwood makes our playsets the most naturally durable and beautiful products on the market. All outdoor wood requires protection. Woodplay applies a specially formulated penetrating, non-toxic stain sealant in our factory to enhance and protect your investment. You may clean plastic and vinyl components with warm soapy water. We recommend periodic inspections and tightening of your playset. Your Woodplay dealer can provide more information about products and services to protect your investment or contact our **Customer Service Department at 1-800-WOODPLAY.**

The Best For Your Child.

Providing A Head Start Since 1975.

Since 1975, Woodplay® has built a reputation for quality outdoor playsets and great childhood experiences. Woodplay brings you a safe way to engage children physically and mentally...and a fun way for your entire family to enjoy the growing-up days together.

Someday, when your children are grown, your Woodplay playset may still be part of the family...creating wonderful childhood memories for yet another generation.

Climbing A Playset Beats Watching Cable.

With today's many electronic distractions, children often need a little extra help to get the benefits of fresh air and exercise.

A Woodplay playset makes it fun to stretch and grow. It provides a setting to stimulate the imagination...and an environment to develop strength and self-confidence.

No one can see what the future holds for any child. But we do know wholesome exercise and imaginative play can help kids prepare for the challenges of life. Woodplay offers a "leg up" toward becoming a doer and achiever—and a head start for growing into a happy, well-adjusted adult.



Printed on FSC certified material

